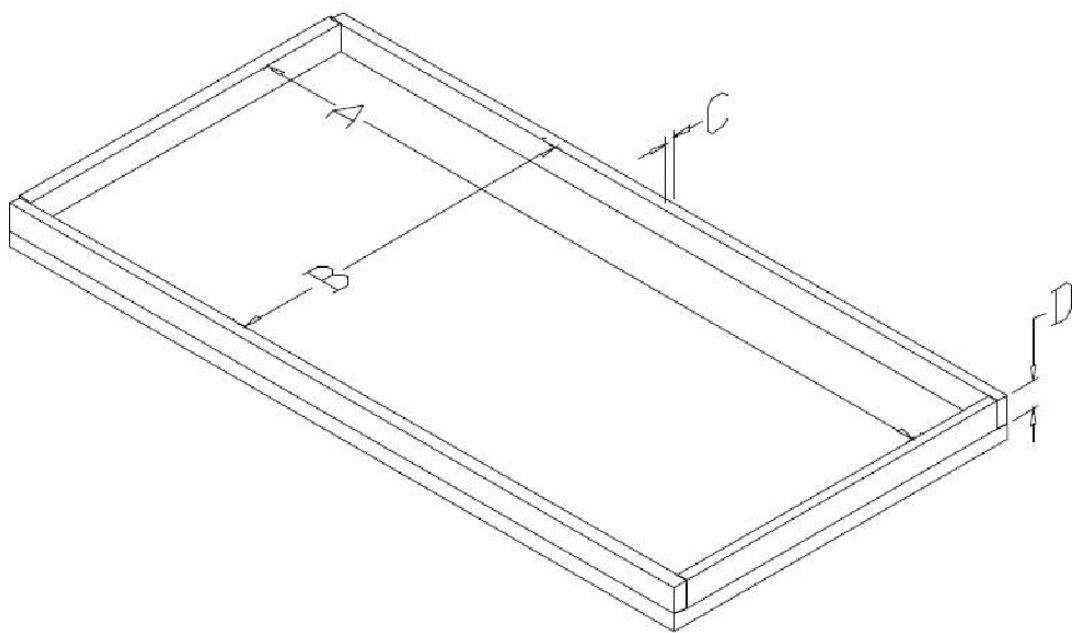




**HANDS ON
TECHNOLOGY**

FLL COMPETITION TABLE – Dimensions

FLL Regional Competition: Budapest



A (length in mm) = 2362 mm

B (width in mm) = 1143 mm

C (width of the border in mm) = 40 mm

D (high of the border in mm) = 80 mm