

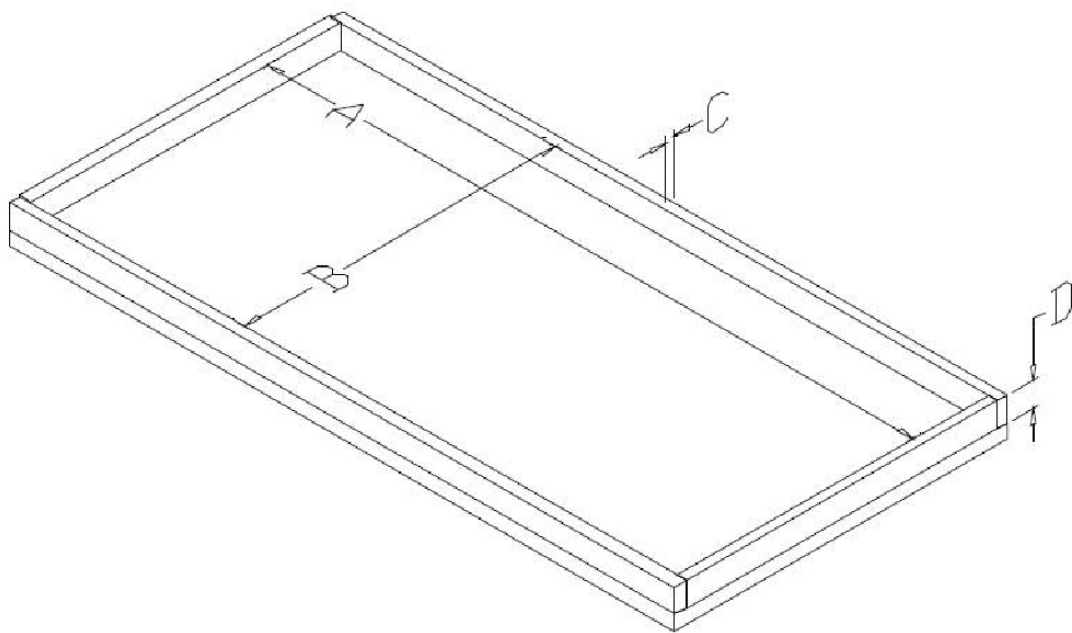


**HANDS ON  
TECHNOLOGY**

## FLL COMPETITION TABLE - DIMENSIONS

**FLL Regional Competition:**

**Tessin**



**A (length in mm) = 2370 ± 5 mm**

**B (width in mm) = 1170 ± 5 mm**

**C (width of the border in mm) = 50 ± 1 mm**

**D (high of the border in mm) = 100 ± 1 mm**