

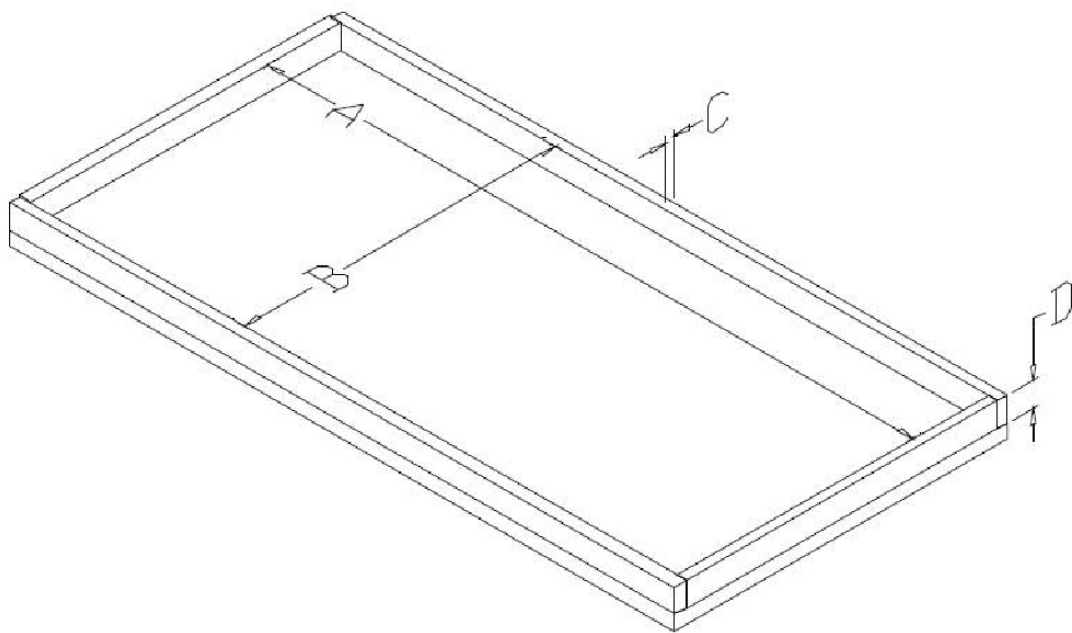


**HANDS ON
TECHNOLOGY**

FLL COMPETITION TABLE - DIMENSIONS

FLL Regional Competition:

Szeged



A (length in mm) = 2370 mm

B (width in mm) = 1150 mm

C (width of the border in mm) = 20 mm

D (high of the border in mm) = 100 mm