

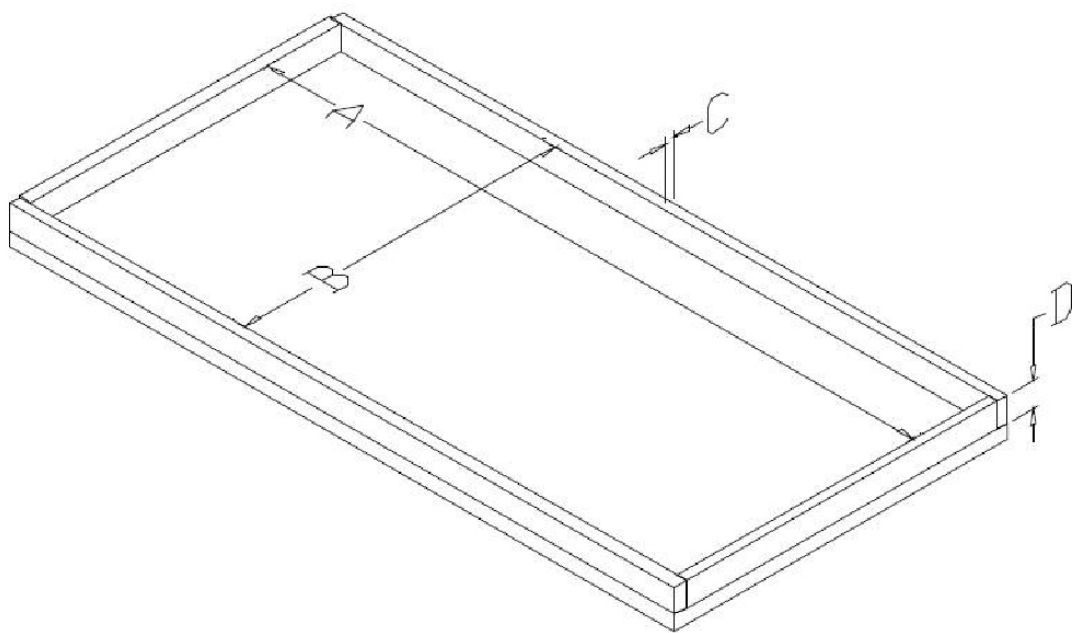


**HANDS ON  
TECHNOLOGY**

## FLL COMPETITION TABLE - DIMENSIONS

**FLL Regional Competition:**

**Chur**



**A (length in mm) = 2362 mm**

**B (width in mm) = 1143 mm**

**C (width of the border in mm) = 40 mm**

**D (high of the border in mm) = 80 mm**