

CHALLENGE UPDATES

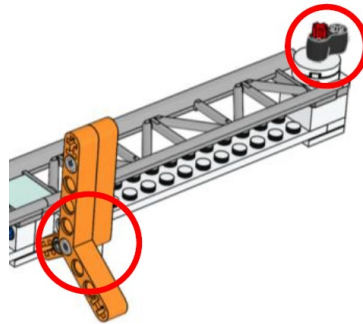
Version: August 28, 2023

New: **Update 04, 05, 06**

Updates

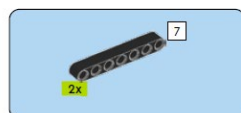
Update 06 – M08 ROLLING CAMERA

All mission models should be built according to the LEGO Building Instructions, regardless of photos found within the Robot Game Rulebook. Paying close attention to the circled areas, when built correctly, the end of the rail should match the following:

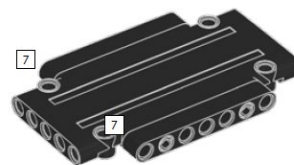


Update 05 – M13 CRAFT CREATOR

In the building instructions of the mission model, the number of black beams needed for steps 2 and 4 was corrected: originally, it stated "1x", but 2 are required for each step. The corrected version of the building instructions can be found in the [Challenge Resources](#) on our Website and in the [FIRST LEGO League Documents SharePoint](#).



2



2

Update 04 – RULE “DURING THE MATCH | INSIDE HOME” (P. 19)

Only relevant for the German translation of the rule.

Update 03 – M12 VIRTUAL REALITY ARTIST

Only relevant for the German translation of the mission description.

Update 02 – Scoresheet Update – M14 AUDIENCE DELIVERY

The scoresheet values of Mission 14 found on page 30/31 of the Robot Game Rulebook are incorrect and do not match those found in the mission description. The second sentence of the scoresheet should read as follows:

If a target destination has at least one audience member completely in it: 5 EACH DESTINATION

Update 01 – Scoresheet Update – M13 CRAFT CREATOR

The scoresheet found on page 30/31 of the of the Robot Game Rulebook mentions the following mission constraint:

To score, team equipment may not be touching the craft machine at the end of the match.

This constraint does not exist in this mission's description and thus should be ignored. Restated, team equipment **MAY** be touching the craft machine at the end of the match.