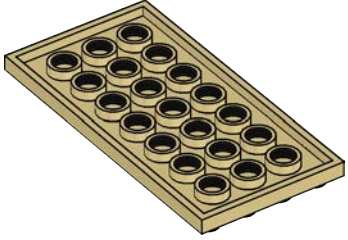


1



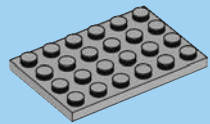
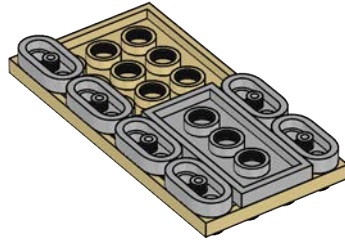


1x
Medium Grey



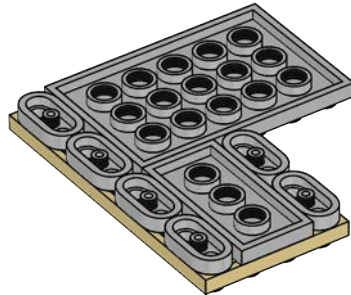
6x
Medium Grey

2



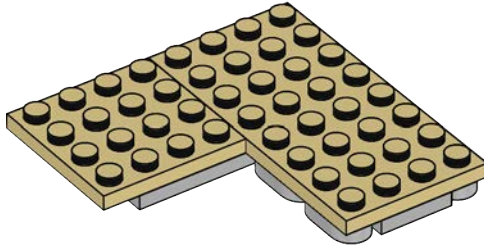
1x
Medium Grey

3

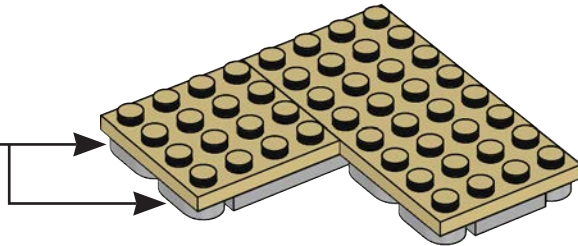


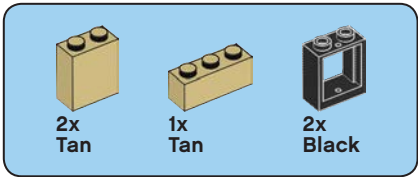


4

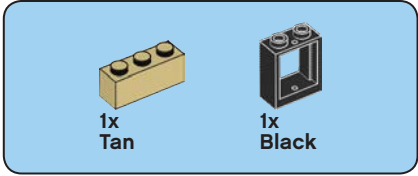
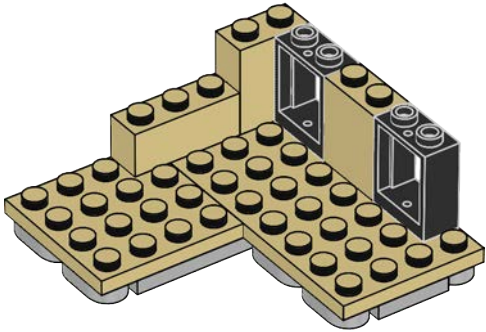


5

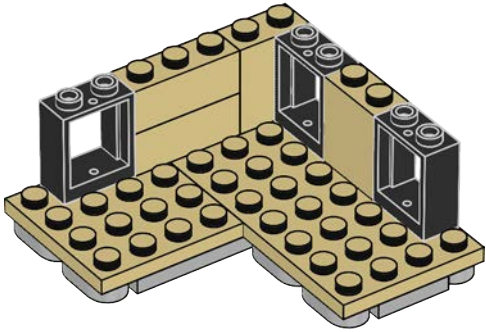


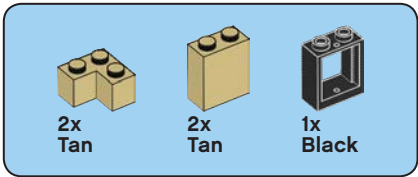


6

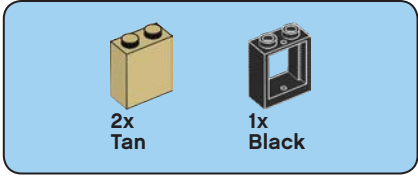
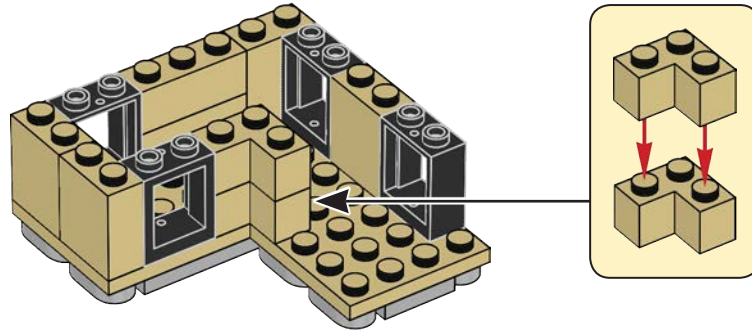


7

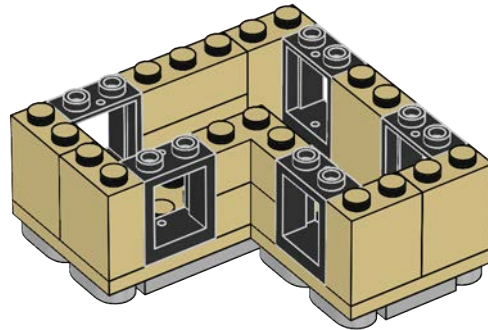


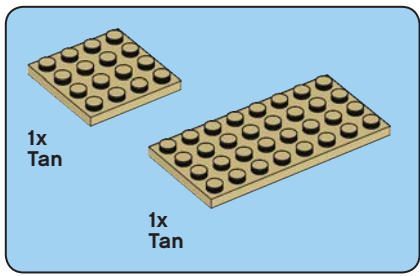


8

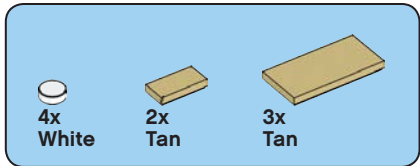
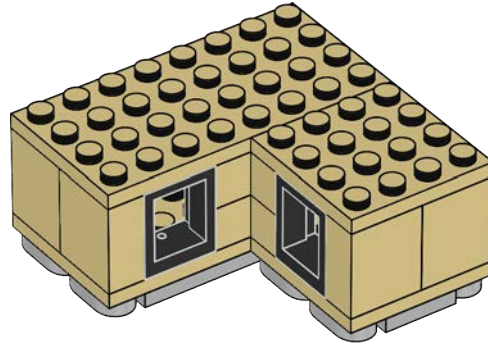


9

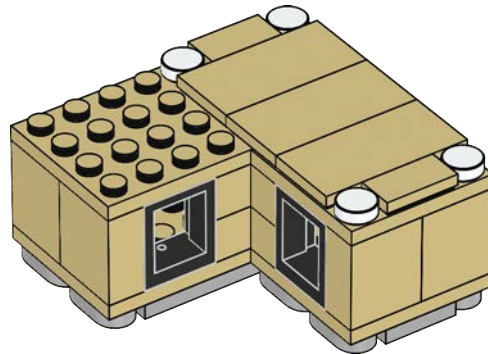




10



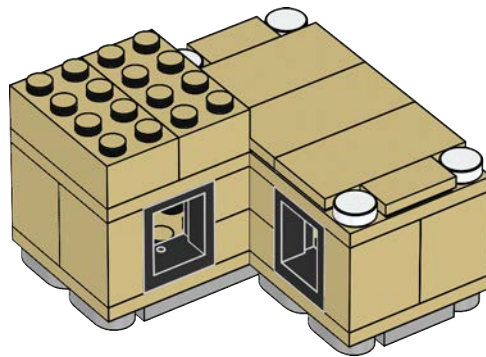
11





2x
Tan

12

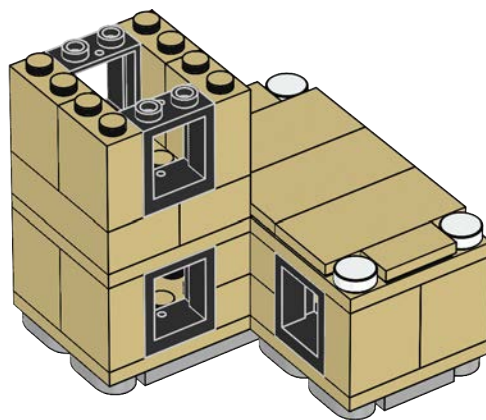


4x
Tan



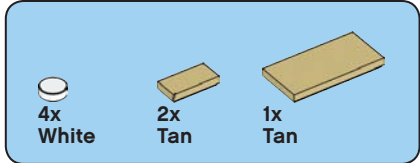
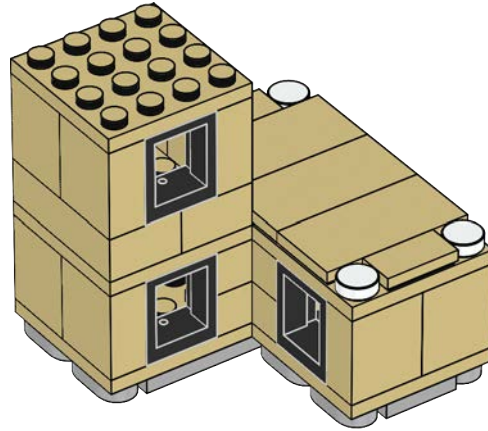
2x
Black

13

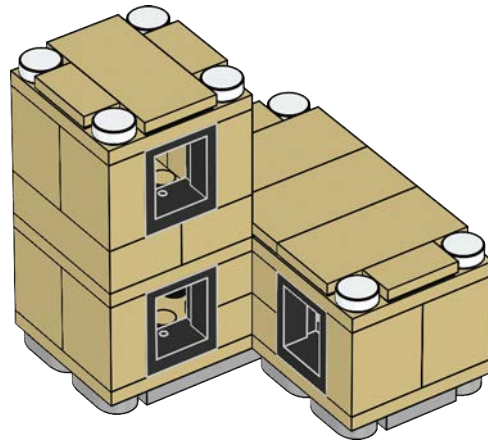




14



15



4x

BAG 6

LEGO and the LEGO logo are trademarks of the/son des marques de commerce de/son marcas registradas de LEGO Group. ©2019 The LEGO Group.

The *FIRST*® logo is a registered trademark of the/Le *FIRST*® logo est une marquee depose de/El logotipo de *FIRST*® es una marca comercial registrada U.S. Foundation For Inspiration and Recognition of Science and Technology.